



**AUDIOVOX SPECIALIZED APPLICATIONS, L.L.C.**

### 90 DAY/12 MONTH LIMITED WARRANTY

AUDIOVOX SPECIALIZED APPLICATION, LLC (the company) warrants to the original retail purchaser of this product that should this product or any part thereof, under normal use and conditions, be proven defective in material or workmanship within 90 days from the date of original purchase, such defect(s) will be repaired or replaced (at the company's option) without charge for parts and repair labor. After the initial 90 day period and for a period of 12 months from the date of original purchase, the Company will supply at no charge a replacement for any defective part(s), but will charge for the labor to repair the product.

To obtain repair or replacement within the terms of this warranty, the product is to be delivered with proof of warranty coverage (e.g.: dated bill of sale), specification of defect(s), transportation prepaid, to an approved warranty station, or the Company at the address shown below.

This warranty does not extend to the elimination of externally generated static or noise, to the correction of antenna problems, to costs incurred for removal or reinstallation of the product, or to damage to any tapes, speakers, accessories, or electrical systems.

This warranty does not apply to any product or part thereof which, in the opinion of the company, has been damaged through alteration, improper installation, mishandling, misuse, neglect, or accident. THE EXTENT OF THE COMPANY'S LIABILITY UNDER THIS WARRANTY IS LIMITED TO THE REPAIR OR REPLACEMENT PROVIDED ABOVE, AND, IN NO EVENT, SHALL THE COMPANY'S LIABILITY EXCEED THE PURCHASE PRICE PAID BY THE PURCHASER FOR THE PRODUCT.

This warranty is in lieu of all other express warranties or liabilities. ANY IMPLIED WARRANTIES, INCLUDING ANY IMPLIED WARRANTY OF MERCHANTABILITY, SHALL BE LIMITED TO THE DURATION OF THIS WARRANTY. ANY ACTION FOR BREACH OF ANY WARRANTY HEREUNDER INCLUDING ANY IMPLIED WARRANTY OF MERCHANTABILITY MUST BE BROUGHT WITHIN A PERIOD OF 30 DAYS FROM THE DATE OF ORIGINAL PURCHASE. IN NO CASE SHALL THE COMPANY BE LIABLE FOR ANY CONSEQUENTIAL OR INCIDENTAL DAMAGES FOR BREACH OF THIS OR ANY OTHER WARRANTY, EXPRESS OR IMPLIED, WHATSOEVER. No person or representative is authorized to assume for the company any liability other than that expressed herein in connection with the sale of this product.

Some states do not allow limitations on how long an implied warranty lasts or the exclusion or limitation of incidental or consequential damages so the above limitations or exclusions may not apply to you. This warranty gives you specific legal rights and you may also have other rights which vary from state to state.

AUDIOVOX SPECIALIZED APPLICATIONS, LLC  
23319 COOPER DR. ELKHART, IN 46514  
Visit us at <http://www.asaelectronics.com>

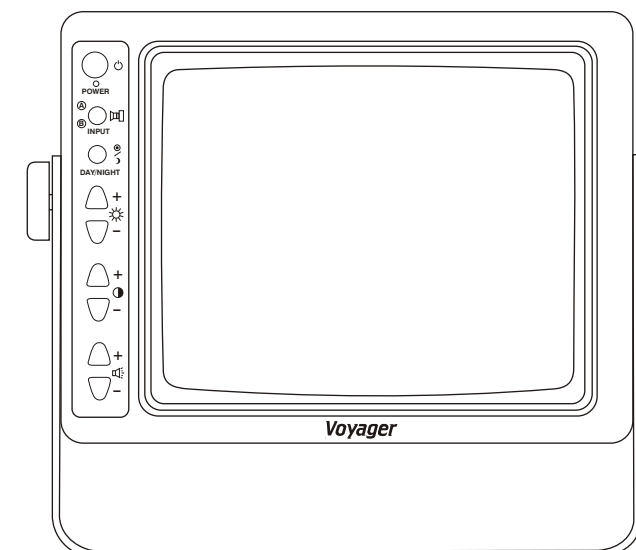
# Voyager<sup>®</sup>

## AOM-78

### 7" MONOCHROME OBSERVATION

#### AOM-78 Features:

- 7" Monochrome Monitor
- Dual Camera Input
- Brightness/Contrast/Day-Night Controls
- Volume Control for Internal/External Speaker
- Power/Stand by Button
- Front Panel Controls Back Lit



**IMPORTANT :**

Congratulations on your purchase of a Voyager AOM-78 monitor. With proper installation and use, your AOM-78 is designed to provide you with years of trouble-free operation. This manual contains important information required to properly install and operate the unit. Please read this manual thoroughly before beginning.

All Voyager Observation products are strictly intended to be installed as a supplement aid to standard rear-mirror systems that may already exist in your vehicle. Voyager observation products are not intended for use as substitutes for rear-view mirror devices, or for any other standard motor vehicle equipment required to be installed on vehicles by law.

While Voyager observation products contribute to improving the vehicle operator's field of view, these products are no substitute for proper defensive driving techniques and observance of traffic laws and motor vehicle safety regulations.

**FEATURES :**

**AOM-78 Monochrome 7" Monitor**

- Day/night switch
- Brightness and contrast controls
- Volume control
- Illuminated front panel
- Power/stand-by switch
- Internal speaker with external speaker jack

**CONTENTS :**

**AOM-78 7" Monochrome Monitor :**

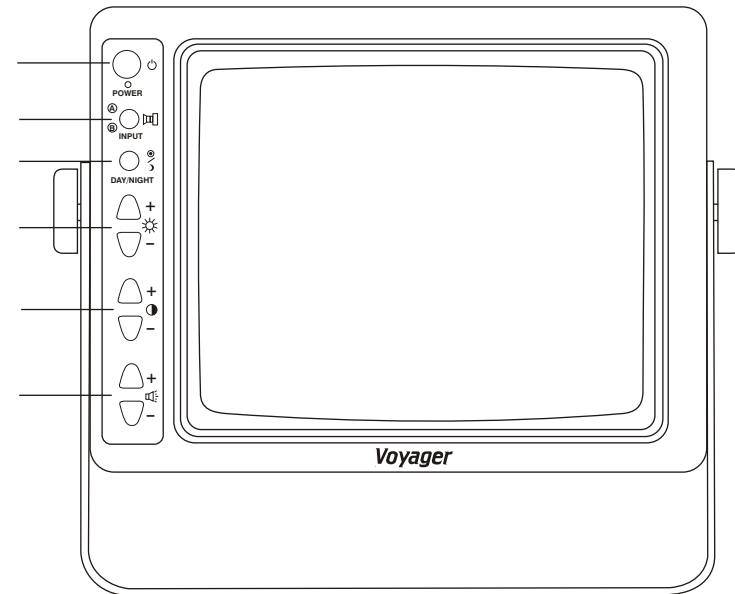
- 1 - 7" monitor
- 1 - Snap-on sun visor
- 1 - Monitor bracket
- 1 - Power harness with locking connector
- 1 - Range markers
- 4 - Thumb screws (M5 x15) with plain washer & spring washers
- 4 - Attachment screws with washers (M5 x12)

**Documents:**

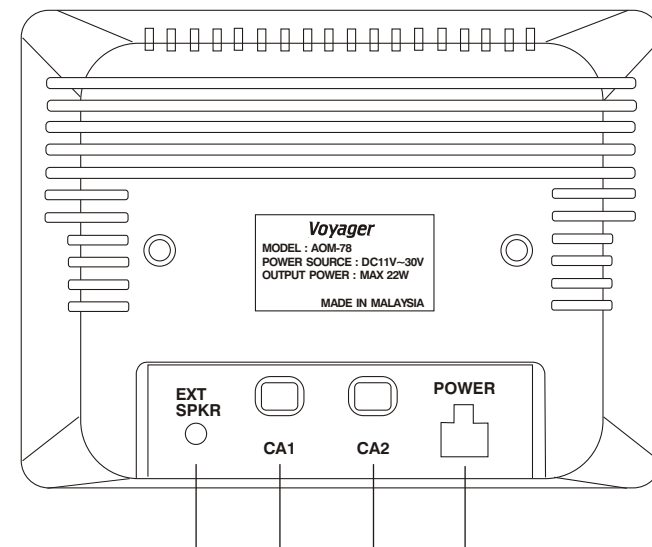
- 1 - Operations manual

## **CONTROLS AND OPERATION**

### **\* MONITOR FRONT VIEW**



### **\* MONITOR BACK VIEW**



### **MONITOR OPERATING CONTROLS AND CONNECTIONS**

#### **Monitor**

##### **1. Power switch**

STD. BY - Monitor operates when vehicle transmission is switched into " REVERSE ".  
ON - Monitor and system operate when ignition switch is " ON ".

##### **2. Input switch**

" A " used mainly for rear mounted camera or as specified by the installer.  
" B " used mainly for side or mirror mounted camera or as specified by the installer.

##### **3. Day / Night switch**

Pre-set brightness and contrast levels optimized for day and night operation.

##### **4. Contrast**

Variable control or contrast. Should be adjusted if the " DAY / NIGHT " switch does not achieve the most desirable picture.

##### **5. Brightness**

Variable control of brightness. Should be adjusted if the " DAY / NIGHT " switch does not achieve the most desirable picture.

##### **6. Volume**

Variable control of internal speaker and external speaker volume.

#### **Rear of Monitor**

1. Power connection : Pin 1 not used  
Pin 2 Ground - black wire  
Pin 3 Reverse circuit - blue wire  
Pin 4 not used  
Pin 5 battery backup - yellow wire  
Pin 6 + 12VDC ignition - red wire
2. Camera A input connection to camera extension cable.
3. Camera B input connection to additional camera extension cable.
4. External speaker connection center pin is positive audio output, used to disable the internal speaker and remotely mount a speaker for driver convenience.

**BEFORE INSTALLATION :**

1. This system operates from 11 volts DC to 30 volts DC, negative ground.
2. Please install this system according to the instructions in this manual.
3. **Do not disassemble the camera or the monitor.** This voids the warranty. Disassembling the camera will compromise the waterproof seal.
4. Connect the system to an ignition switched power source. Connection to a battery source will reduce battery life.

**\*\* WARNING \*\***

1. To prevent electrical shock, **DO NOT OPEN THE MONITOR CASE.** *There are potentially lethal voltages Inside the monitor. There are no user serviceable parts inside.* If evidence of tampering is detected, the warranty will be considered void.
2. Keep monitor away from leaking water, rain, moisture etc. it is NOT waterproof. Any moisture Inside the monitor could cause extensive damage.
3. Use the thumbscrews to mount the monitor to bracket.

**INSTALLATION INSTRUCTIONS**

**AOM-78 MONITOR**

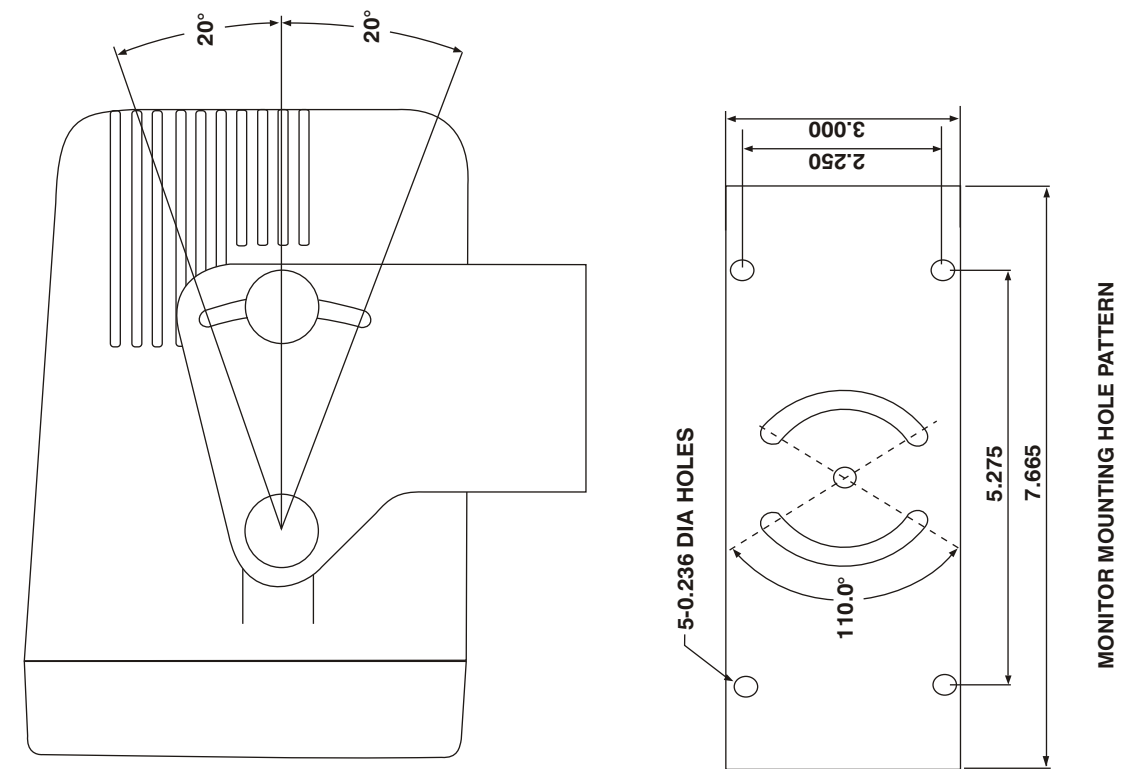
1. Attach monitor inside vehicle in a location convenient to the driver (e.g. Center of dash, overhead Or in dash).
2. Use a compression plate to attach the monitor bracket to the dash or overhead (See Fig. 1).
3. Adjust mounting angle of the monitor to allow driver to easily view the screen from all seat position (See Fig. 2).
4. If necessary, snap sun visor into groove on front face of monitor. Press all (4) sides of the visor to snap it into place.

**MAINTENANCE :**

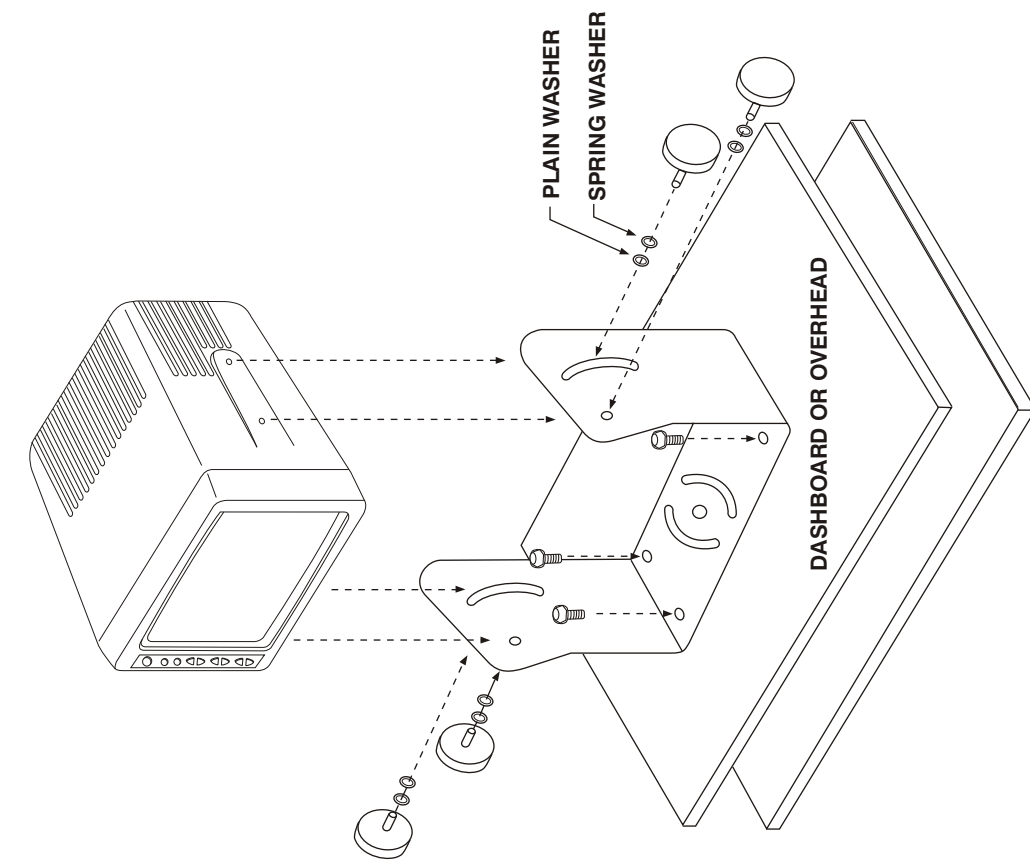
Remove dust and dirt with a damp soft cloth. Heavier dirt should be removed with a damp soft cloth and mild detergent. Do not use strong cleaning agents containing gasoline, thinner, benzene or alcohol. These substance may damage the exterior surface of the monitor.

**\*\* CAUTION \*\***

1. Before drilling, be sure no cable or wiring is on the other side. Be sure to drill a 19mm / 3/4" diameter hole only.
2. Feed as much cable as possible into vehicle and clamp securely. This reduces the possibility of being hooked during production.
3. Keep all cables away from HOT, ROTATING and ELECTRICALLY NOISY components.
4. To increase protection of cable, place all excess wire and extension cable in convoluted tubing.
5. Do not twist camera cable and do not cut camera pigtail or cable.



**FIGURE 2**

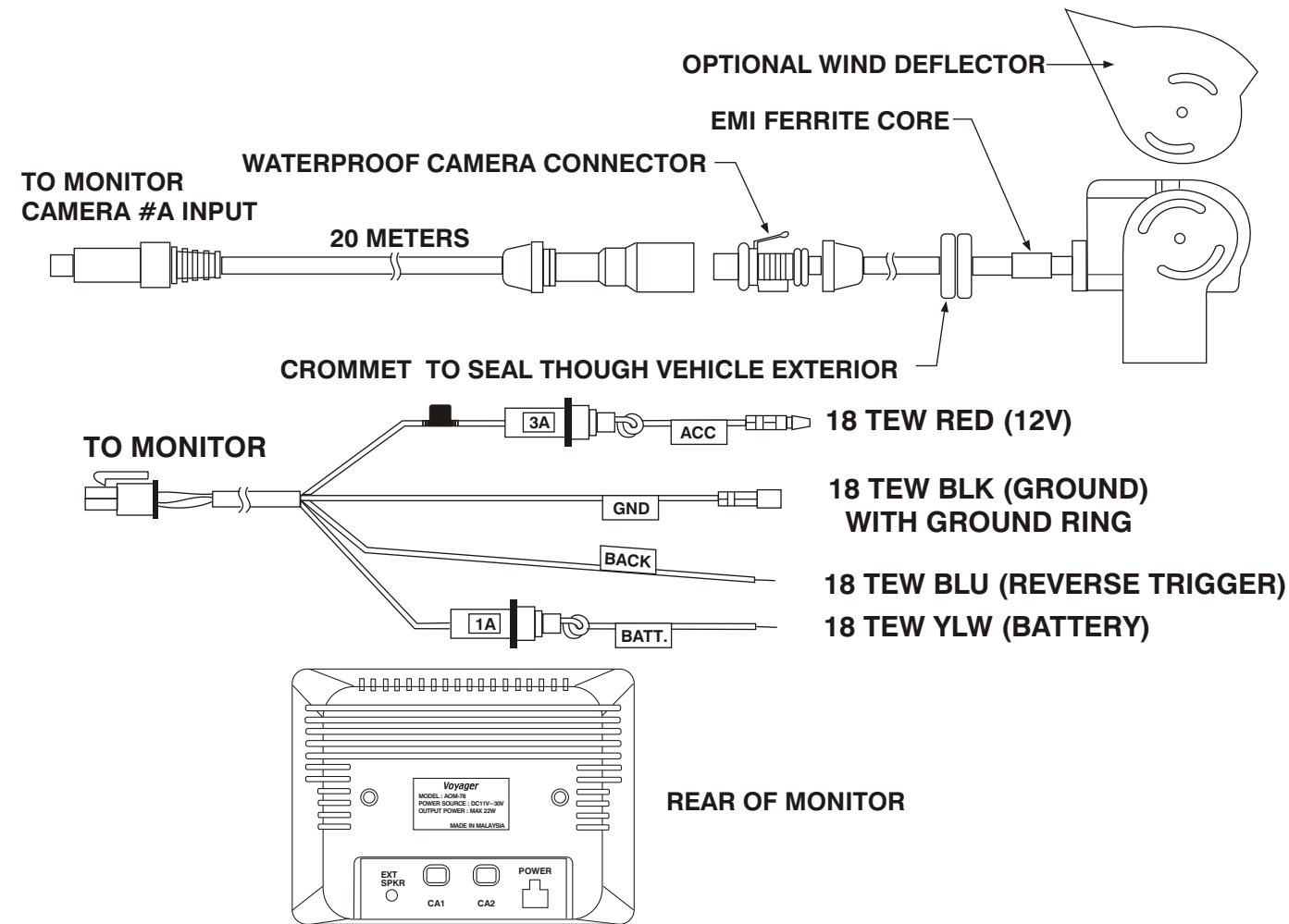


**STEEL PLATE FOR REINFORCEMENT (RECOMMENDED FOR SECURE MOUNTING)**

**FIGURE 1**

**WIRING CAMERA AND MONITOR**

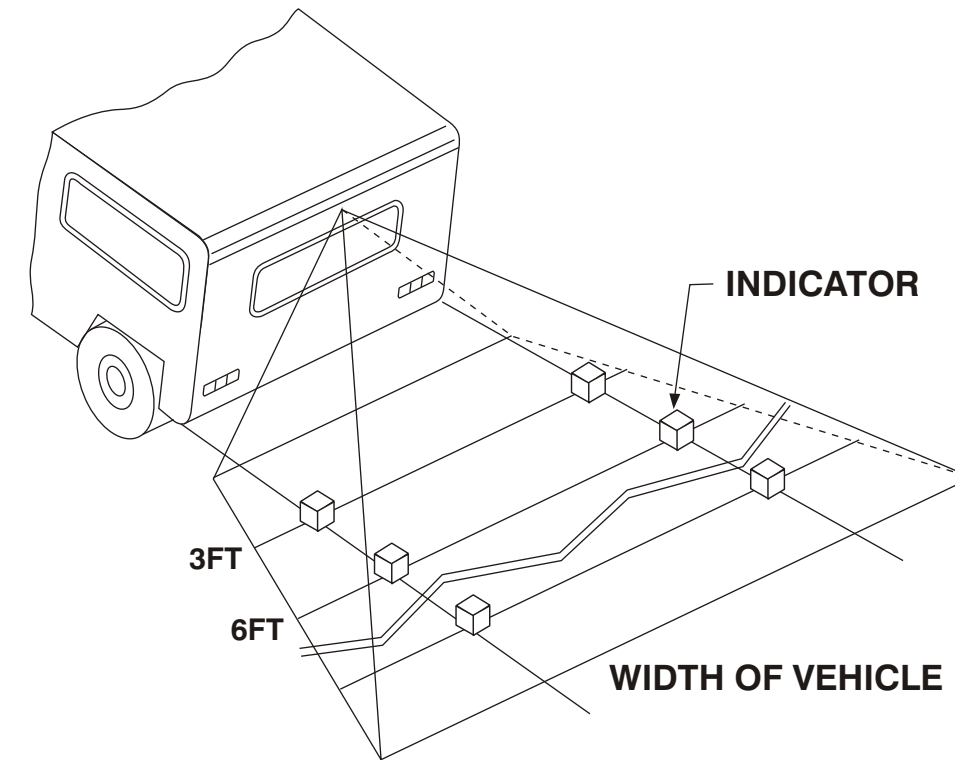
1. See wiring diagram for connections to ignition, ground and back-up circuit (See Fig. 3).
2. Wiring Camera :  
 Drill a 19 mm / 3/4" diameter hole into vehicle body near the camera and bracket.  
 Connect camera connector to extension cable in vehicle.  
 Push extra cable into vehicle (Be careful not to kink cable) and fit grommet into hole.  
 Apply sealant around grommet to increase resistance to water penetration.
3. Wiring Monitor :  
 Insert extension cable into camera #1 position if (2) camera are used, be sure to mark each extension cable properly and plug second cable into camera #2 position.  
 Bundle excess cable together using a cable tie or vinyl tape. This will avoid possible damage to cable during operation.
4. The red wire marked ACC is connected to an ignition power source, the black wire marked GND is connected to chassis ground, and the blue wire marked BACK is connected to the vehicle's back up circuit.



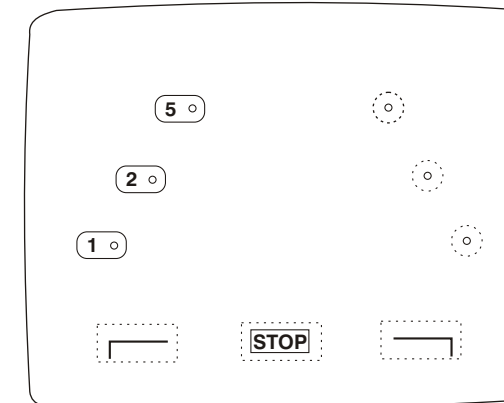
**FIGURE 3**

**AFFIXING DISTANCE MARKERS TO THE MONITOR SCREEN**

1. Clean monitor screen surface of fingerprints. Set the camera into the " DOWN " position. Place distance indicators behind the vehicle at (3) feet, (5) feet and (9) feet along the width of the vehicle. These distances are measured from the rear bumper. (Refer to fig. 4).
2. Attach the markers to the monitor screen over the images of the distance indicators. These markers represent a distance of (3) feet, (6) feet and (9) feet from the back of the vehicle. (See Fig. 4).
3. Affix the " STOP " marker on the monitor screen over the image of the rear bumper to locate the rear bumper.
4. The monitor screen is now " calibrated " for distances behind the vehicle of (3) feet, (6) feet and (9) feet.



**MARKERS EXAMPLE**



**FIGURE 4**

**SPECIFICATIONS :**

**AOM-78 Monitor**

Signal System	NTSC
Picture tube	7" Monochrome
Outer dimensions	7.45" x 5.60" x 8.63" (W x H x D) 18.92 cm x 14.22 cm x 21.92 cm (W x H x D)
Weight	4.8 lbs. 2.18 Kg