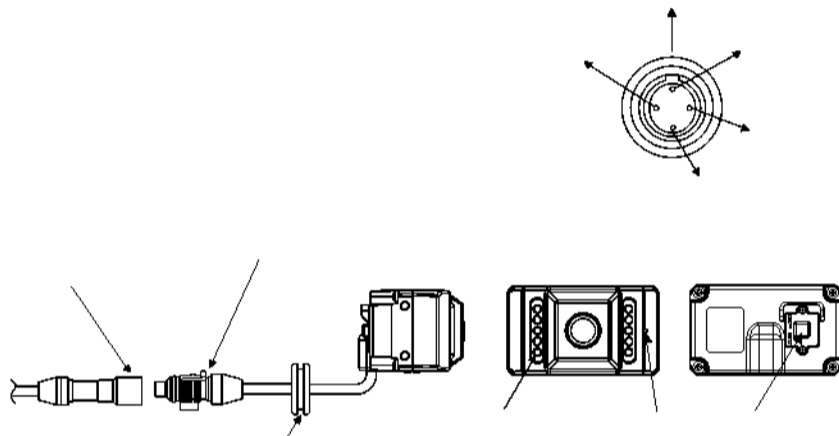
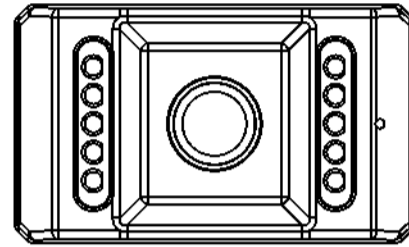


VCMS155/155B-Manual - Esboço V1.1- 2015.03.09



Item	Quantity	Description

